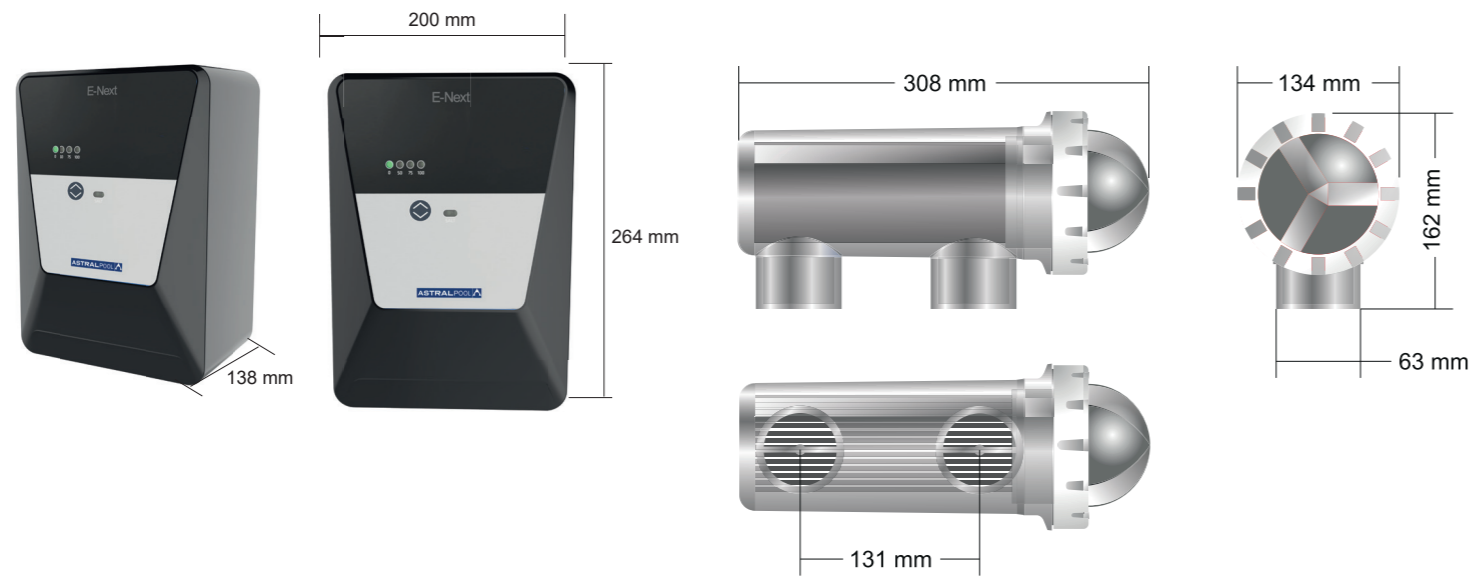
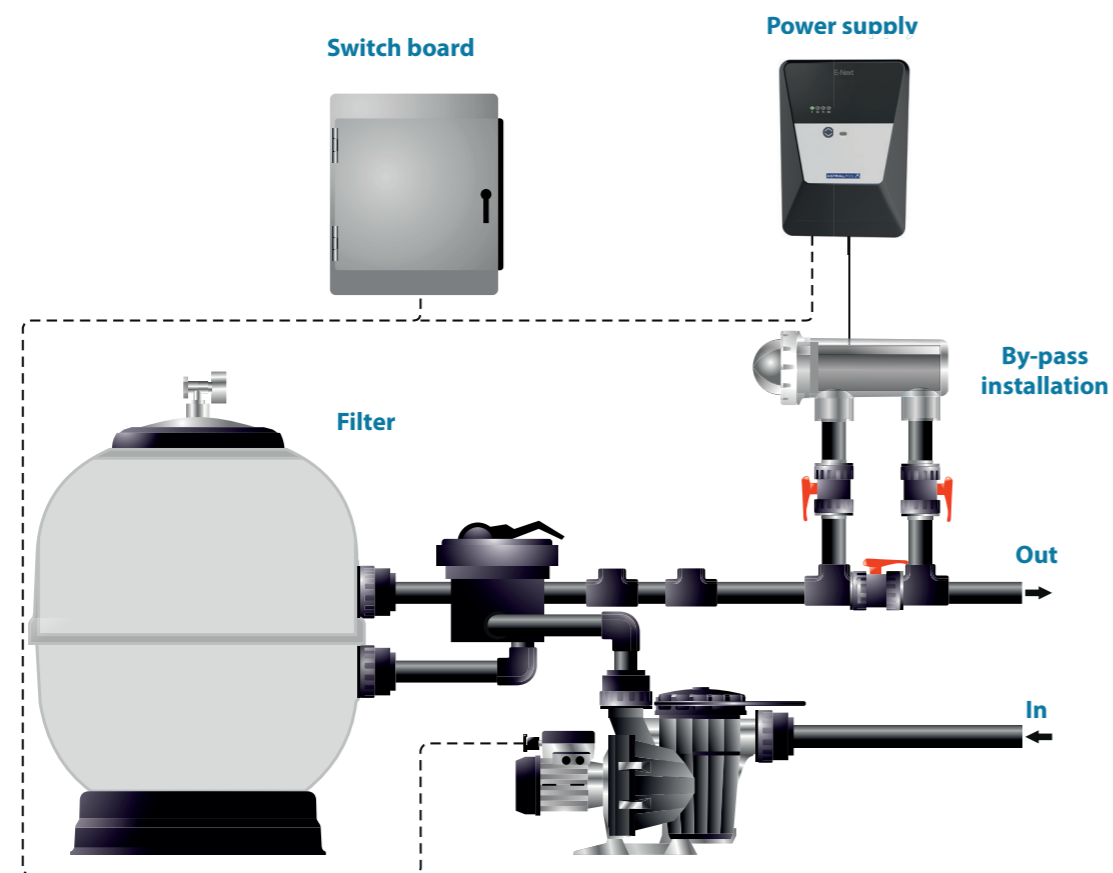


## DIMENSIONS



## INSTALLATION DIAGRAM



More information:  
[www.astralpool.com](http://www.astralpool.com)

# E-NEXT

## SALT CHLORINATOR

SALT WATER CHLORINATION FOR ALL



## INTERFACE DESCRIPTION



# E-NEXT

## SALT CHLORINATOR

**m<sup>3</sup>**  
30 - 180

**TECH**  
8 000 h

**RESIDENTIAL**  
POOL

## SALT WATER CHLORINATION FOR ALL

### Enjoy more, maintain less

E-Next will take it on itself to give you more time to enjoy your pool, from 30 to 180 m<sup>3</sup> by disinfecting it automatically with salt water chlorination technology for an improved bathing experience.

### Reduced footprint

With its compact design, E-Next can fit in most installations, even the dampest ones thanks to its a waterproof casing IP45.

### Safety first

E-Next has been developed to ease the owner's daily routine with security features such as a gas sensor that will stop it if there is no flow and a salt alarm to indicate a lack of salt in the pool.



## RANGE



| References | Production        | Pool Volume*       |
|------------|-------------------|--------------------|
| E-Next     | Salt electrolysis | Up to              |
| 74081      | 7 g / h           | 30 m <sup>3</sup>  |
| 74082      | 12 g / h          | 50 m <sup>3</sup>  |
| 74083      | 21 g / h          | 90 m <sup>3</sup>  |
| 74084      | 30 g / h          | 140 m <sup>3</sup> |
| 74085      | 40 g / h          | 180 m <sup>3</sup> |

\* Treated water volume based on 8 h/day of use along with filtration with a water temperature at 25°C (pool volume is <25% if water temp is above 25 °C).

| Description   | E-Next 7                          | E-Next 12        | E-Next 21 | E-Next 30 | E-Next 40 |
|---|-----------------------------------|------------------|-----------|-----------|-----------|
|   | <b>Input voltage</b>              | 230 V – 50/60 Hz |           |           |           |
| <b>Input amps</b>   | 0,2A                              | 0,4A             | 0,4A      | 0,8A      | 0,9A      |
| <b>Fuse</b>   | 2A                                |                  |           |           |           |
| <b>Production</b>   | 7 g/h                             | 12 g/h           | 21 g/h    | 30 g/h    | 40 g/h    |
| <b>Pool size</b><br>(water up to 25°C,<br>max volume -25% above 25°C) | 30                                | 50               | 90        | 140       | 180       |
| <b>Salinity</b>   | 4-6 g/L (mini / max = 4-10 g/L)   |                  |           |           |           |
| <b>Water temperature</b>  | Max 40°C                          |                  |           |           |           |
| <b>Power pack</b>   | ABS                               |                  |           |           |           |
| <b>Polarity reversal</b>  | Yes (2 - 3 h)                     |                  |           |           |           |
| <b>Production control</b>   | 0 – 50 – 75 – 100%                |                  |           |           |           |
| <b>Flow detection (gas)</b>   | Yes                               |                  |           |           |           |
| <b>Pool cover mode</b>  | Yes (Decreases production at 10%) |                  |           |           |           |
| <b>Salt alarm indicator</b>   | Yes                               |                  |           |           |           |

| Description                        | E-Next 7  | E-Next 12                    | E-Next 21 | E-Next 30 | E-Next 40 |
|------------------------------------|---|------------------------------|-----------|-----------|-----------|
|                                    | <b>Electrode (self-cleaning titanium activated)</b> | Tech grade: 8 000 – 10 000 h |           |           |           |
| <b>Min. flow (m<sup>3</sup>/h)</b> | 2   | 3                            | 5         | 6         | 8         |
| <b>Number of electrode plates</b>  | 3   | 5                            | 7         | 11        | 13        |
| <b>Cell body</b>                   | Methacrylate derivative                             |                              |           |           |           |
| <b>Plumbing</b>                    | Glued PVC Ø63 mm                                    |                              |           |           |           |
| <b>Maximum pressure</b>            | 1 Kg/cm <sup>2</sup>                                |                              |           |           |           |
| <b>Water temperature</b>           | 15 – 40°C max                                       |                              |           |           |           |