



SENEXT XP
SMALL SIZE.
BIG PERFORMANCE.

SENEXT XP

Engineered and built to perform outstandingly, discover how the Senext XP single speed pump takes care of your small to medium-sized pool thanks to its compact design, improved performance, as well as its easy installation and maintenance



SMALL-SIZED TO FIT EVERYWHERE

As a result of its **compact design**, Senext XP pump **reduces its footprint by 25%⁽¹⁾**.

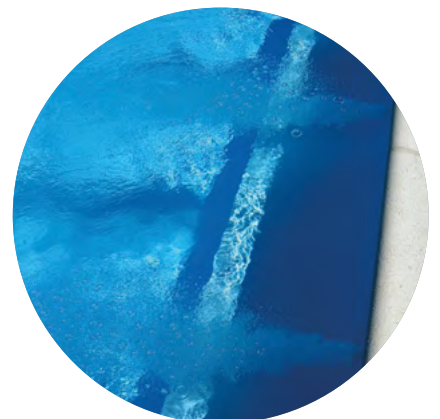
Its length is 100mm shorter⁽¹⁾ and its width is 30 mm smaller⁽¹⁾ **to fit even in the smallest technical rooms.**

⁽¹⁾ Senext XP 100M compared to AstraPool Victoria Plus Silent 100M.

BIG PERFORMANCE

Senext XP pump delivers **12% improvement in hydraulic performance** compared to a similar size pump⁽²⁾.

It achieves **higher efficiency and optimized flow** by taking advantage of the **new hydraulics and prefilter design**.



⁽²⁾ Senext XP 100M compared to AstraPool Sena 100M.

EASY INSTALLATION

Senext XP **adapts to most existing installation** thanks to its double-threaded ports and its specific kit including a retrofit platform and a 1 1/2" fitting reducer. Senext XP pump is also easy to put in place thanks to its **ergonomic built-in handle**.



Retrofit platform



Internal 1 1/2" threaded ports
External 2 1/4" threaded ports
with D50mm couplings



Ergonomic **built-in-handle**

EASY MAINTENANCE

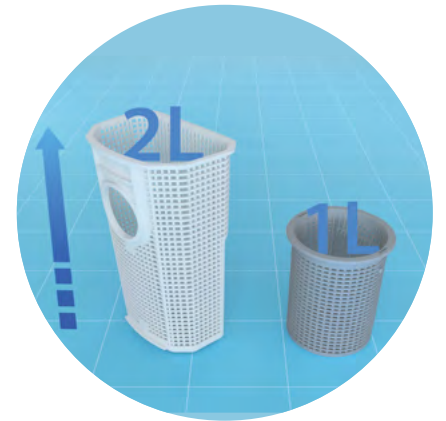
Senext XP pump facilitates the maintenance thanks to its:



Tool-free easy-to-open
prefilter cap



Double water drainage
for hibernation



Extra large 2L-capacity
prefilter basket

Senext XP has been designed and is produced in Europe with **high quality** standards to deliver a long lasting and **reliable** pump.

Senext XP is a compact and high performing single speed pump for a professional installation in small to medium-sized pools.

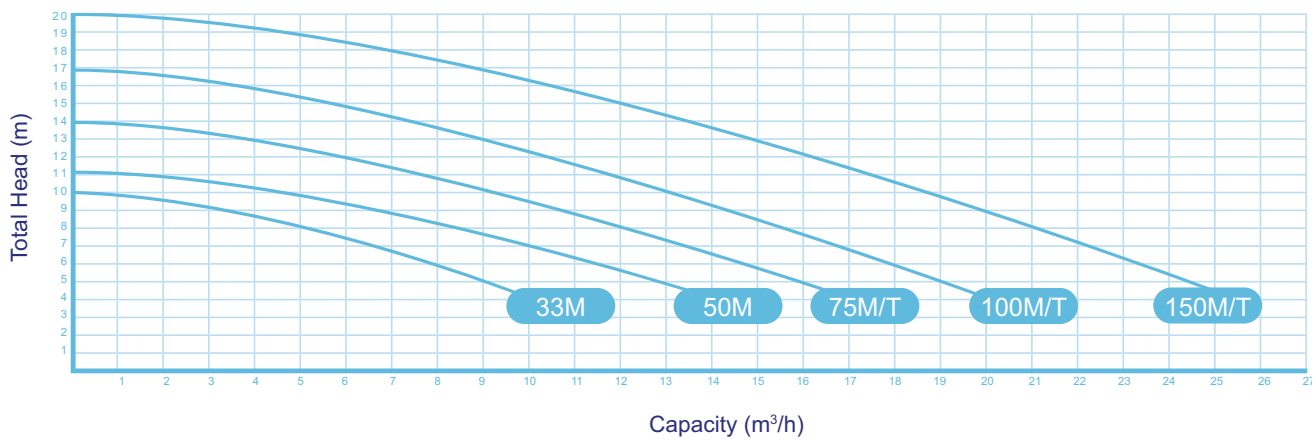


TECHNICAL FEATURES

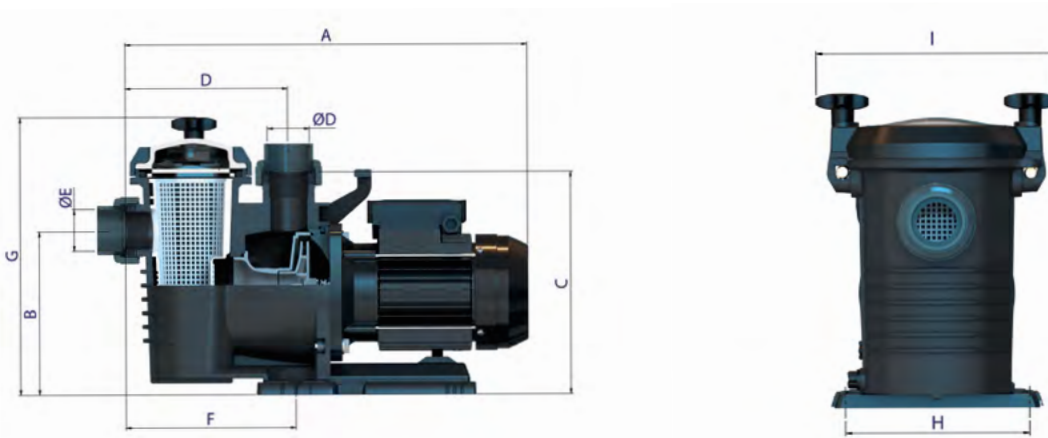


CODE	MODEL	Voltage	Capacity	Head	Max. Head	Max. Capacity at Head=4m	Motor Rated Output	Max. Absorbed Power	Pipe Size	Packaging Weight	Packaging Volume
		U _N (V)	Q _N (m ³ /h)	H _N (m)	H _{MAX} (m)	Q _{MAX} (m ³ /h)	P _{2N} (kW)	P _{1MAX} (kW)	D (mm)	Kg	m ³
71616	33M	230	5	8	10	10	0.38	0.35	D50	9.8	0.052
71617	50M	230	8.5	8	11	14	0.38	0.50	D50	9.8	0.052
71618	75M	230	12	8	14	17	0.56	0.65	D50	10.9	0.052
71619	75T	230/400	12	8	14	17	0.56	0.65	D50	10.4	0.052
71620	100M	230	15.5	8	17	20	0.75	0.88	D50	11.2	0.052
71621	100T	230/400	15.5	8	17	20	0.75	0.88	D50	11.2	0.052
71622	150M	230	21	8	20	25.5	1.12	1.30	D50	14.9	0.052
71623	150T	230/400	21	8	20	25.5	1.12	1.30	D50	13.9	0.052

PERFORMANCE



DIMENSIONS



CODE	MODEL	DIMENSIONS (mm)								
		A	B	C	D	E	F	G	H	I
71616	33M	481.5	183	254	195	ø50	203	292	171,5	226
71617	50M	481.5	183	254	195	ø50	203	292	171,5	226
71618	75M	481.5	183	254	195	ø50	203	292	171,5	226
71619	75T	481.5	183	254	195	ø50	203	292	171,5	226
71620	100M	481.5	183	254	195	ø50	203	292	171,5	226
71621	100T	481.5	183	254	195	ø50	203	292	171,5	226
71622	150M	507.5	183	254	195	ø50	203	292	171,5	226
71623	150T	507.5	183	254	195	ø50	203	292	171,5	226