

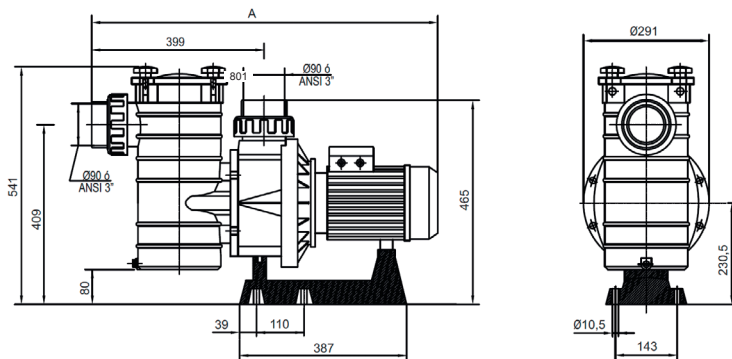


YEARS OF WARRANTY

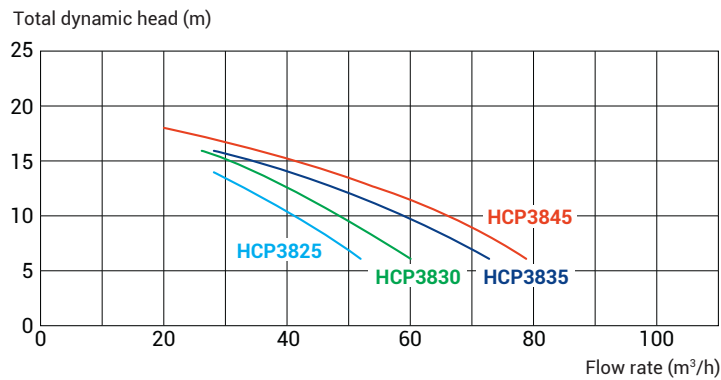


## High-performance pumps

- Pump made of glass-fibre reinforced thermoplastics
- Lightweight and easy to install
- The three-phase motors are compliant with the IE3 standard
- Turbine made of reinforced Noryl suitable for salt water
- High-performance TEFC motor
- Strainer with transparent cover for easy maintenance
- Elevated base to ensure proper motor ventilation
- Operates at 50 Hz / 2850 rpm, IP55, class F insulation
- Usages: large pools, spas, water features
- Option: 60 Hz version (please contact us)



### ➤ HCP 3800 SERIES Curves



HCP 3800 SERIES

Reference	Type (HP)	Input power P1 (kW)	Flow rate* (m <sup>3</sup> /h)	Inlet / Outlet (mm)	Weight (kg)	Model	Amperage (A)	
HCP38251E	2.5	2.3	41	80 / 90	25.5	Single-phase 230V	12.4	
HCP38301E	3	2.76	48	90	26.2	Single-phase 230V	14.5	
HCP38253E1	2.5	2.3	41	80 / 90	25.5	Three-phase 230 / 400V	8.3 / 4.8	
HCP38303E1	3	2.76	48	90	26.2	Three-phase 230 / 400V	8.8 / 5.1	
HCP38353E1	3.5	3.7	58	90	30.5	Three-phase 230 / 400V	10.4 / 6.0	
HCP38453E1	4.5	4.3	66	90	30.5	Three-phase 230 / 400V	11.7 / 6.75	
HCP38253E	2.5	-	41	90	-	Three-phase 230 / 400V	8.3 / 4.8	IE3 ✓
HCP38303E	3	-	48	90	-	Three-phase 230 / 400V	8.8 / 5.1	IE3 ✓
HCP38353E	3.5	-	58	100	-	Three-phase 230 / 400V	10.4 / 6.0	IE3 ✓
HCP38453E	4.5	-	66	100	-	Three-phase 230 / 400V	11.7 / 6.75	IE3 ✓

\* under 10m water column pressure