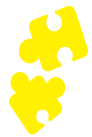


FLAT PROJECTOR

LEDINPOOL BY SEAMAID

CONSTRUCTION

[Projected with thread / Back to Contents page](#)



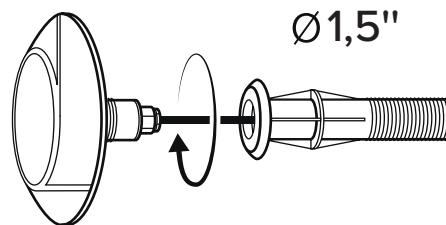
Compatible with all types of pool where installing a conventional projector could cause leakage problems



Easy, safe installation thanks to in-ground pool installation kit included

Easy to install:

The rear of the plug has a 1.5" male thread, to make it easier to install, as no specialist tools are required. You just need a wall fitting with a 1.5" vacuum fitting at the end, and then screw the rear part of the flat SEAMAID projector into it by hand.



502860

White lighting

- Dimension : Ø290mm

6500K

Cold White

1450
LUMENS

60
LED

13
WATTS



ALP01



502877

RGB colour lighting

- Remote control
- 11 fixed colours
- 5 automatic programmes
- Dimension: Ø290 mm

600
LUMENS

90
LED

16
WATTS



Did you know?

Initially sold with a white crown, it also exists in 7 other colors and metal plated. Match the crowns to the colour of the pool to delight your customers!



Light blue
504208



Black
504422



Sand
504192



White
504130



Light grey
504215



Metal plating
504185



Dark grey
504178

Complementary products



Installation kit for above-ground pools

501009
(See page 35)



Gelbox

504338
(See page 35)



Adapter for DESJOYAUX filtration unit

504543
(See page 34)

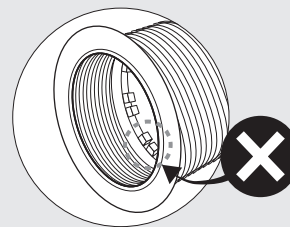


Lumilink

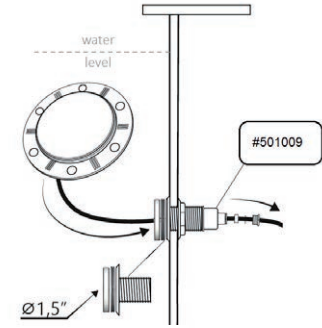
504017
(See page 25)

Installation recommendations:

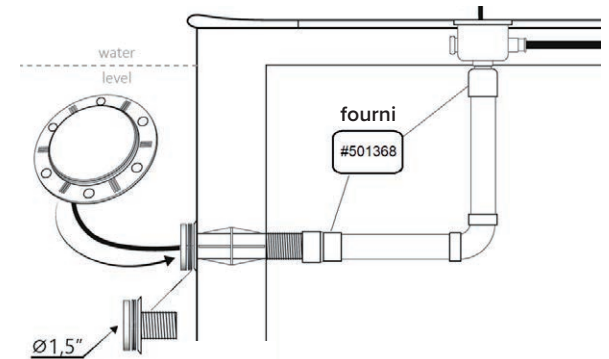
It is important to check the compatibility of the vacuum fitting before finalising installation. Certain models equipped with a stop thread are not suitable.



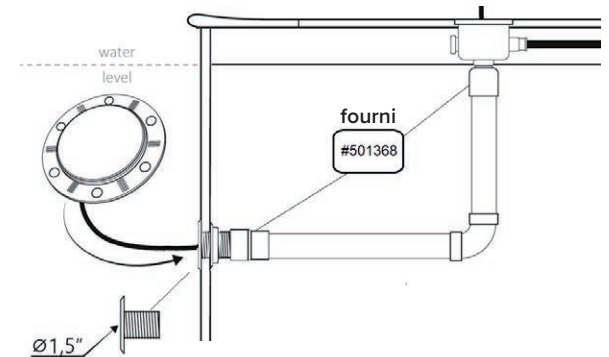
Installation steps



Example for above-ground pools



Example for in-ground pools with liners



Example for thin-walled in-ground pools